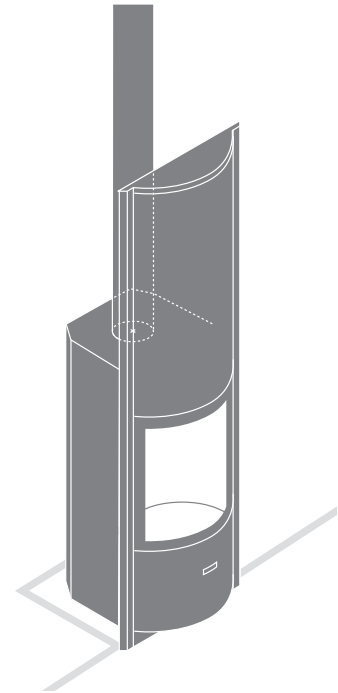


30-in B | The stove

stuv

3 doors	glass door, closed door, open fire
control of the fire	precision control of combustion air
air-tightness	control over the distribution of combustion air; sweeping of the glass, no consumption of room air; no CO in the living room
excellent efficiency	even at half-power
low pollutant levels	low emission of CO and fine particles even at half-power
outside air inlet	under the stove
economical	low wood consumption
for traditional, energy-efficient and wood-framed homes	✓
180 -mm smoke outlet	above



TECHNICAL SPECIFICATIONS

GENERAL

TYPE OF SYSTEM	fitted
MATERIALS	steel + refractors
COLOUR	Stuv grey
LOADING	manual
FUEL	wood
POSITION OF LOGS	vertical
LENGTH OF LOGS	hor. 50 cm
LENGTH OF LOGS	vert. 33 cm

WEIGHT / DIMENSIONS

WEIGHT	200 kg
Ø OF SMOKE DUCT	180 mm
Ø HOT-AIR OUTLETS	150 mm
Ø OUTSIDE AIR INLET	100 mm

AIR

DIRECT OUTSIDE INLET	✓
CONTROL OF PRIMARY AIR	✓
CONTROL OF SECONDARY AIR	✓
POST-COMBUSTION	✓
AIR-TIGHTNESS	+++
FAN	○
OVERHEATING INDICATOR	✗

PERFORMANCE

OUTPUT	10 kW
USAGE RANGE	5-12 kW
EFFICIENCY	81 %
CO EMISSIONS	0,05 %
FINE PARTICLE EMISSIONS	28 mg/Nm ³
RANGE OF WOOD CONSUMPTION	1,7 - 3,3 kg/h
MINIMUM DRAW	12 Pa
SMOKE MASS FLOW	8,1 g/s
AVERAGE SMOKE TEMPERATURE	263 °C
CONSUMPTION OF ROOM AIR FOR COMBUSTION	22 m ³ /h
ENERGY EFFICIENCY INDEX (EEI)	108
ENERGY EFFICIENCY CLASS	A+

MIN. THICKNESS OF INSULATION BETWEEN STOVE AND COMBUSTIBLE MATERIALS

BACK FACE	4 cm
SIDE FACE	4 cm
UPPER FACE	9 cm
INSIDE FACE	0 cm

ACCESSORIES / EQUIPMENT

ACCUMULATION	✗
CUPBOARD	✗
BARBECUE	○
ASH-TRAY	✓
CONVECTION	✓
FAÇADE	○
OPEN FIRE	✓
MOBILOBOX	○
GROUND PLATE	○
READY-TO-FIT	○
LOG RACK	○
ROTARY FUNCTION	✗
BASE	✗
FAN	○
RETRACTABLE GLASS	✗

LEGEND

✓	STANDARD
✗	UNAVAILABLE
○	OPTIONAL

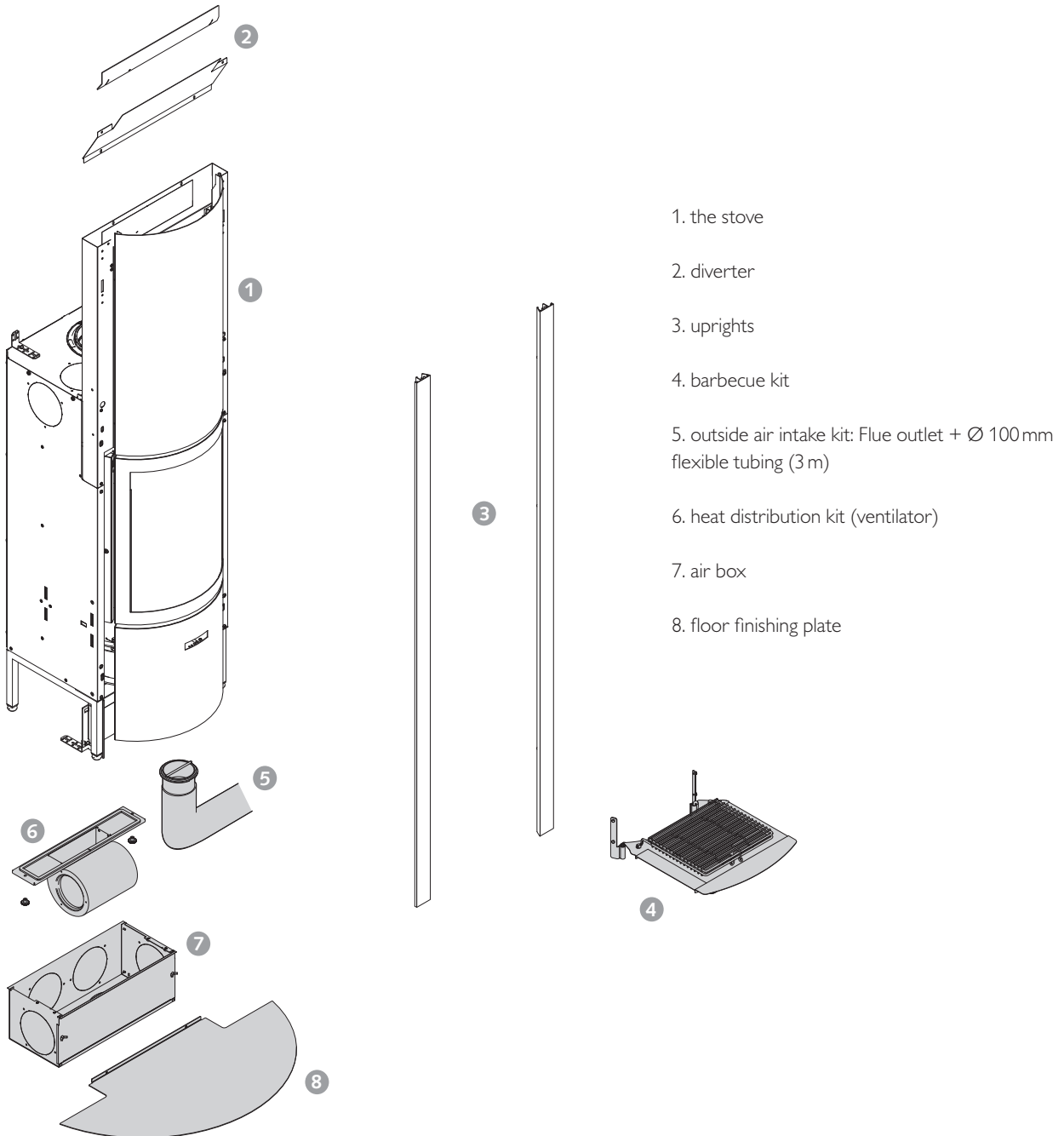
according to:

- Art. 15A B-VG (AT) - BE Phase 1, 2 & 3
- OPair (CH) - BImSchV1 & 2 (DE)

30-in B | The stove



THE BASIC STOVE AND ITS OPTIONAL FEATURES

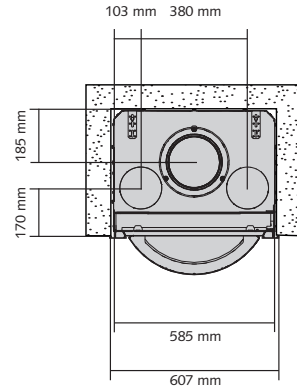
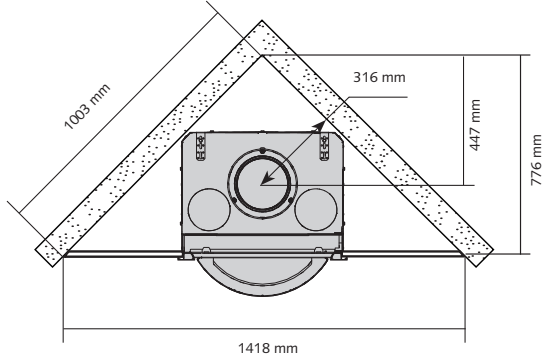


30-in B | The stove

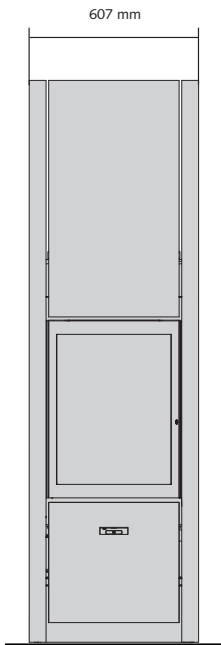


DIMENSIONS OF THE 30-IN "B" WITH FITTED UPRIGHTS

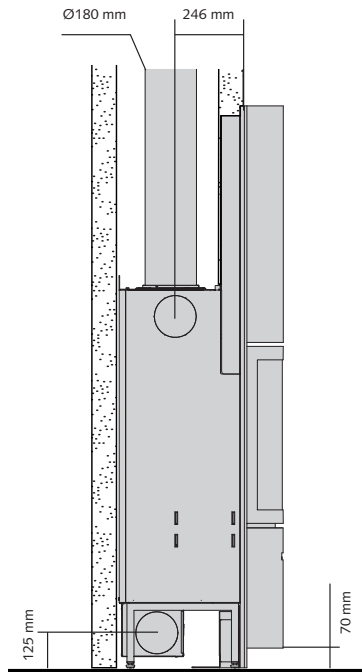
VIEWS FROM ABOVE



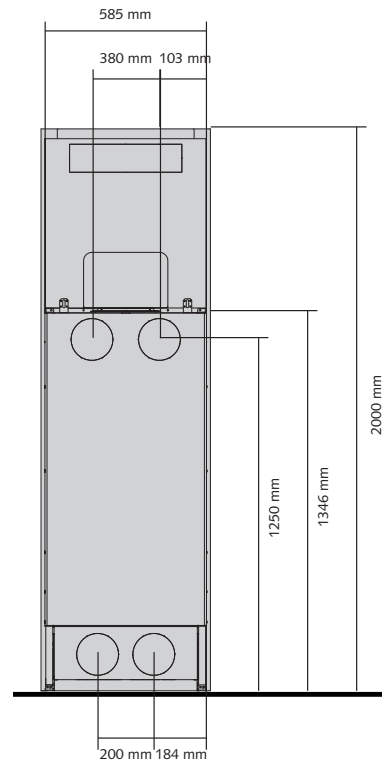
VIEW OF FRONT



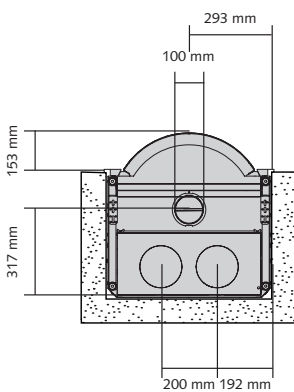
VIEW OF PROFILE



VIEW FROM BACK



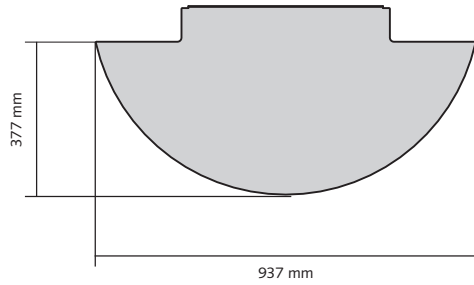
VIEW FROM BEHIND



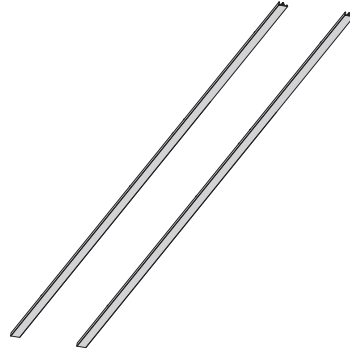
30-in B + accessories



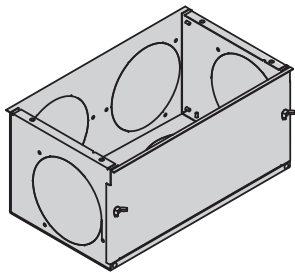
GROUND PLATE



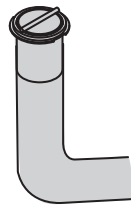
UPRIGHTS



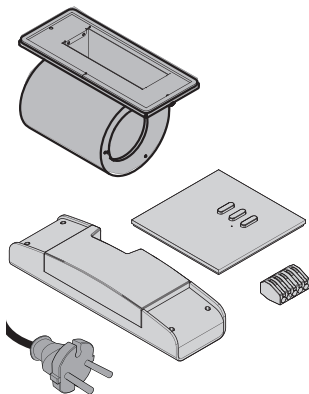
AIR CASE



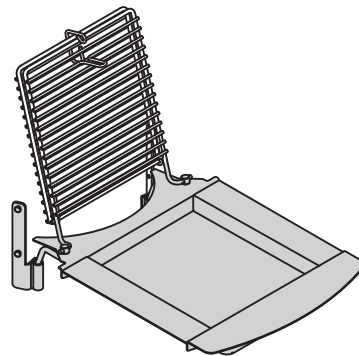
AIR INLET KIT



VENTILATION KIT



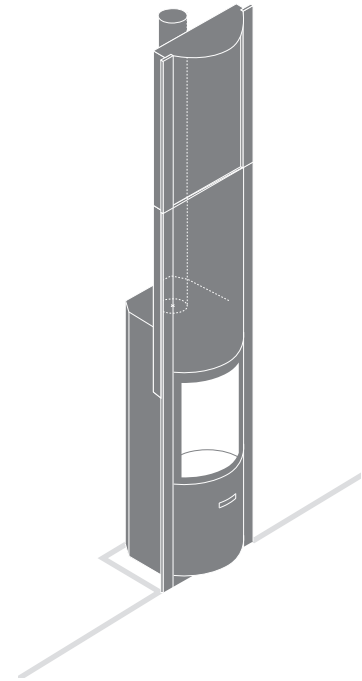
BARBECUE



30-in R | The stove

stuv

3 doors	glass door, closed door, open fire
control of the fire	precision control of combustion air
air-tightness	control over the distribution of combustion air; sweeping of the glass, no consumption of room air, no CO in the living room
excellent efficiency	even at half-power
low pollutant levels	low emission of CO and fine particles even at half-power
outside air inlet	under the stove
economical	low wood consumption
for traditional, energy-efficient and wood-framed homes	✓
180 -mm smoke outlet	above



TECHNICAL SPECIFICATIONS

GENERAL

TYPE OF SYSTEM	fitted
MATERIALS	steel + refractors
COLOUR	Stuv grey
LOADING	manual
FUEL	wood
POSITION OF LOGS	vertical
LENGTH OF LOGS	hor. 50 cm
LENGTH OF LOGS	vert. 33 cm

WEIGHT / DIMENSIONS

WEIGHT	200 kg
Ø OF SMOKE DUCT	180 mm
Ø HOT-AIR OUTLETS	150 mm
Ø OUTSIDE AIR INLET	100 mm

AIR

DIRECT OUTSIDE INLET	✓
CONTROL OF PRIMARY AIR	✓
CONTROL OF SECONDARY AIR	✓
POST-COMBUSTION	✓
AIR-TIGHTNESS	+++
FAN	○
OVERHEATING INDICATOR	✗

PERFORMANCE

OUTPUT	10 kW
USAGE RANGE	6-12 kW
EFFICIENCY	81 %
CO EMISSIONS	0,05 %
FINE PARTICLE EMISSIONS	28 mg/Nm ³
RANGE OF WOOD CONSUMPTION	1,7 - 3,3 kg/h
MINIMUM DRAW	12 Pa
SMOKE MASS FLOW	8,1 g/s
AVERAGE SMOKE TEMPERATURE	263 °C
CONSUMPTION OF ROOM AIR FOR COMBUSTION	22 m ³ /h
ENERGY EFFICIENCY INDEX (EEI)	108
ENERGY EFFICIENCY CLASS	A+

MIN. THICKNESS OF INSULATION BETWEEN STOVE AND COMBUSTIBLE MATERIALS

BACK FACE	4 cm
SIDE FACE	4 cm
UPPER FACE	9 cm
INSIDE FACE	0 cm

ACCESSORIES / EQUIPMENT

ACCUMULATION	✗
CUPBOARD	✗
BARBECUE	○
ASH-TRAY	✓
CONVECTION	✓
FAÇADE	○
OPEN FIRE	✓
MOBILOBOX	○
GROUND PLATE	○
READY-TO-FIT	○
LOG RACK	○
ROTARY FUNCTION	✗
BASE	✗
FAN	○
RETRACTABLE GLASS	✗

LEGEND

✓	STANDARD
✗	UNAVAILABLE
○	OPTIONAL

according to:

- Art. 15A B-VG (AT) - BE Phase 1, 2 & 3
- OPair (CH) - BImSchV1 & 2 (DE)

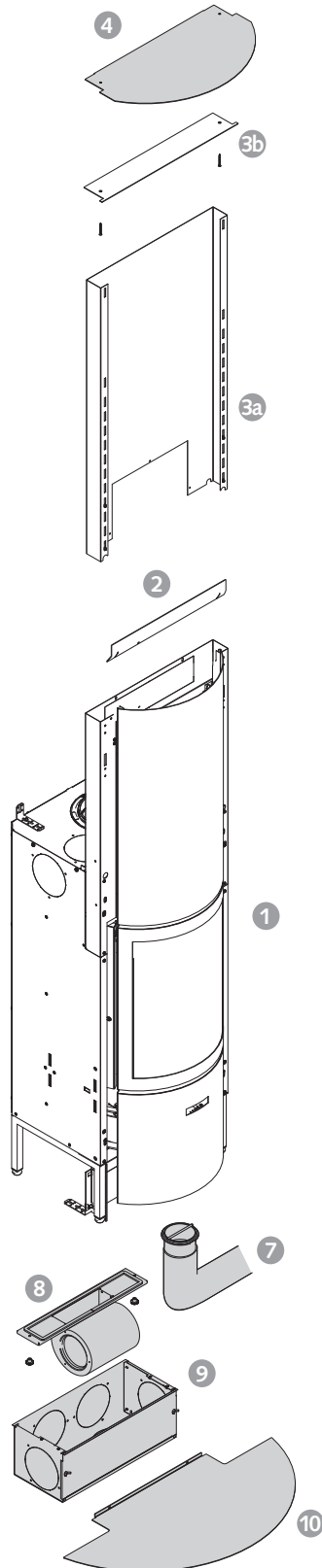
in accordance with



30-in R | The stove



THE BASIC STOVE AND ITS OPTIONAL FEATURES



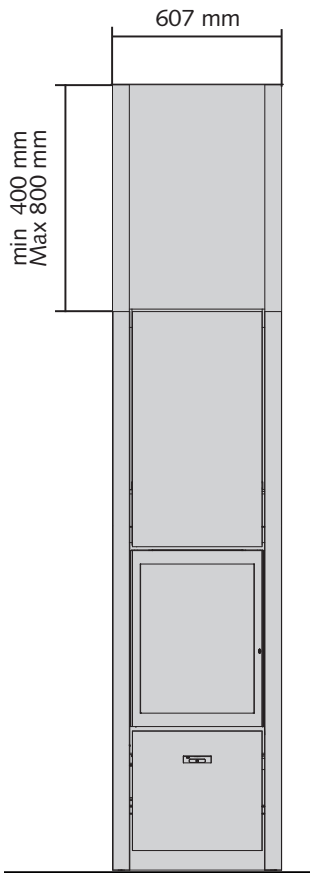
- 1. the stove
- 2. diverter
- 3. height adjustment
 - a. Telescopic height adjuster
 - b. Small ceiling protector
- 4. rounded ceiling protector
- 5. uprights 2800 mm
- 6. barbecue kit
- 7. outside air intake kit: Flue outlet + Ø 100mm flexible tubing
- 8. heat distribution kit (ventilator)
- 9. air box
- 10. floor finishing plate

30-in R | The stove

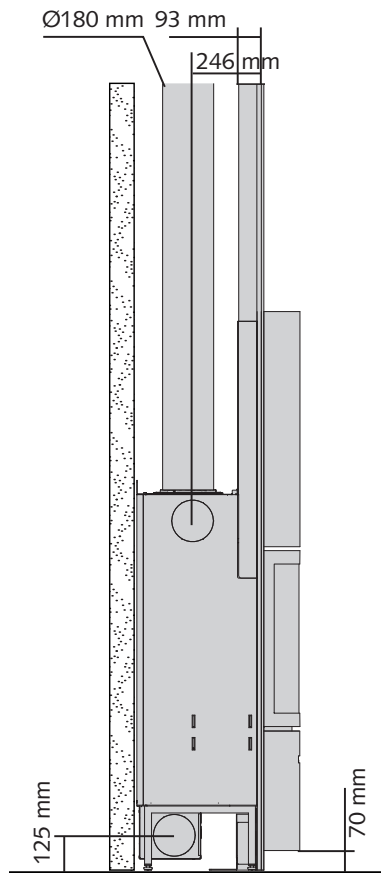


DIMENSIONS OF THE 30-IN "R"

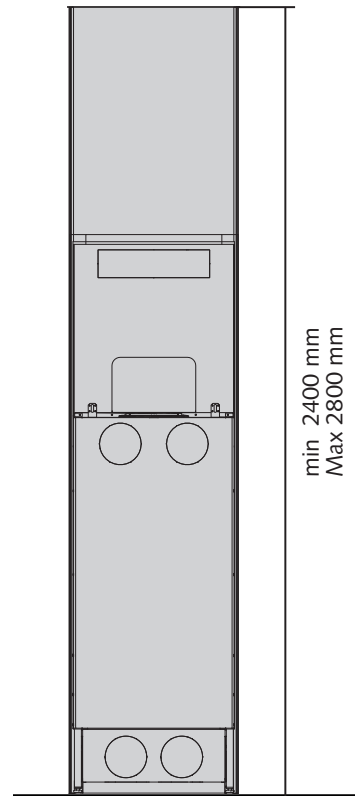
VIEW OF FRONT



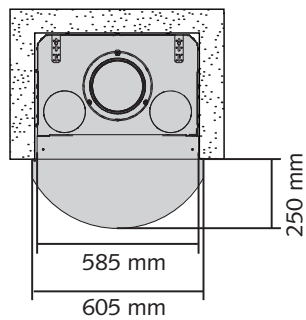
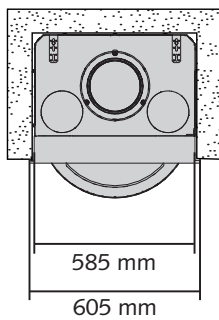
VIEW OF PROFILE



VIEW FROM BACK



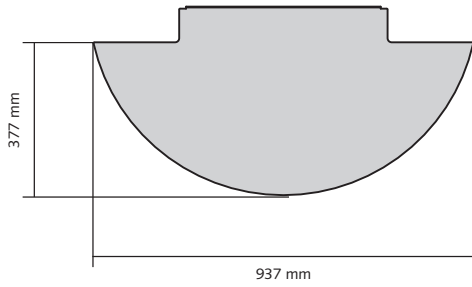
VIEW FROM ABOVE



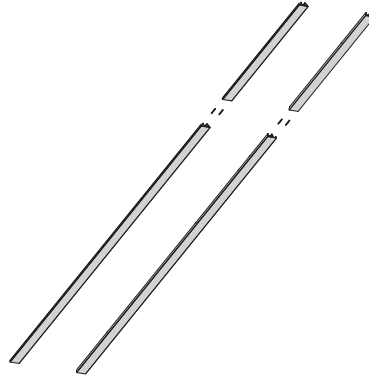
30-R + accessories



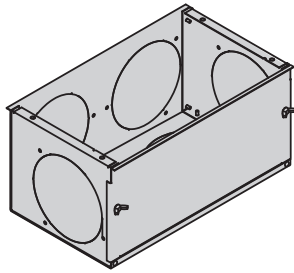
GROUND PLATE



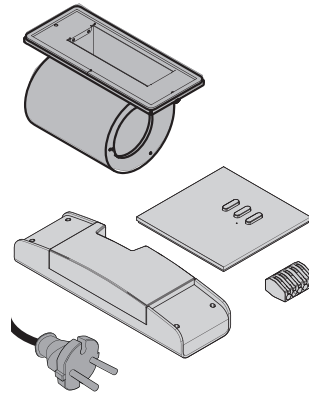
FITTED AND FLUSH UPRIGHTS



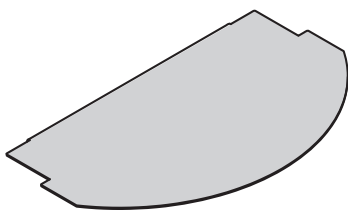
AIR CASE



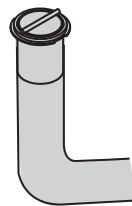
VENTILATION KIT



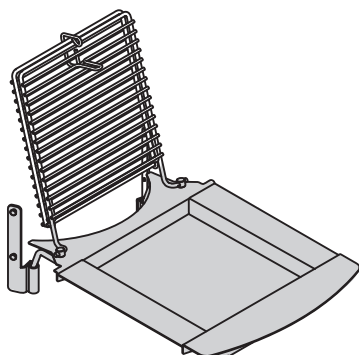
CEILING FINISHING PLATE



AIR INLET KIT



BARBECUE

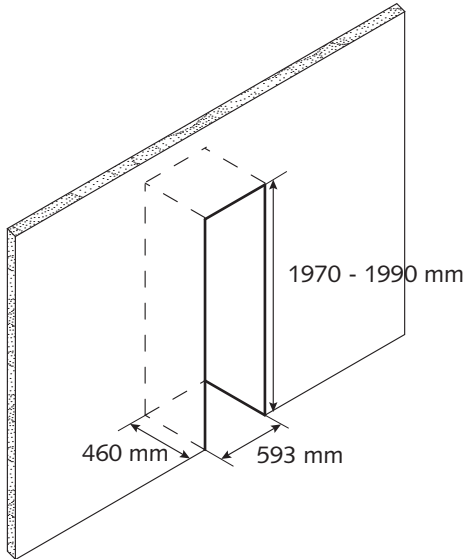


30-in | The stove

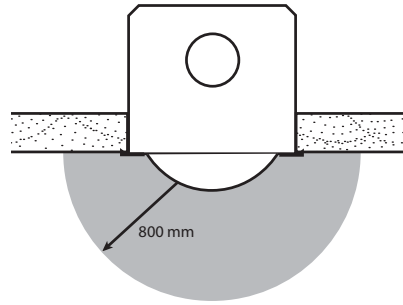


DIMENSIONS OF THE RECESS

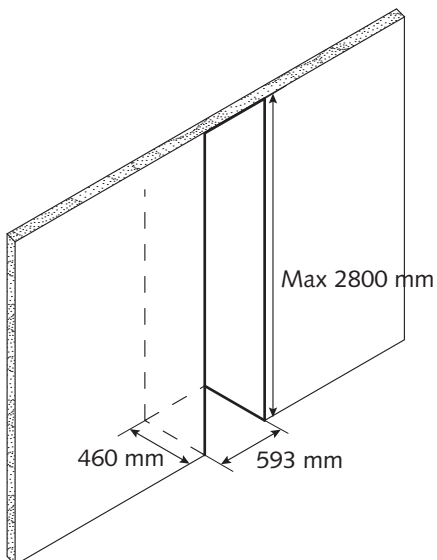
RECESS FOR 30-IN "B"



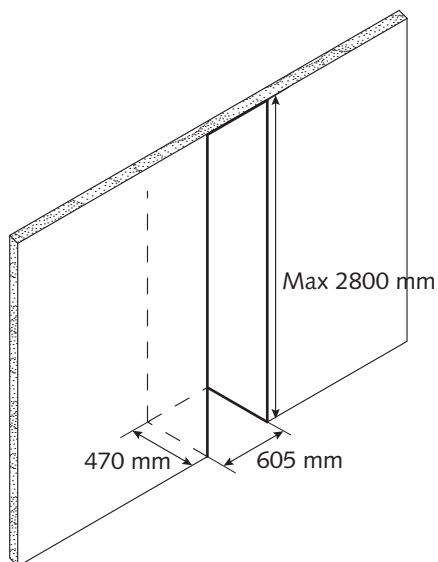
HEAT RADIATED FROM THE GLASS



RECESS FOR 30-IN "R"
WITH FITTED UPRIGHTS



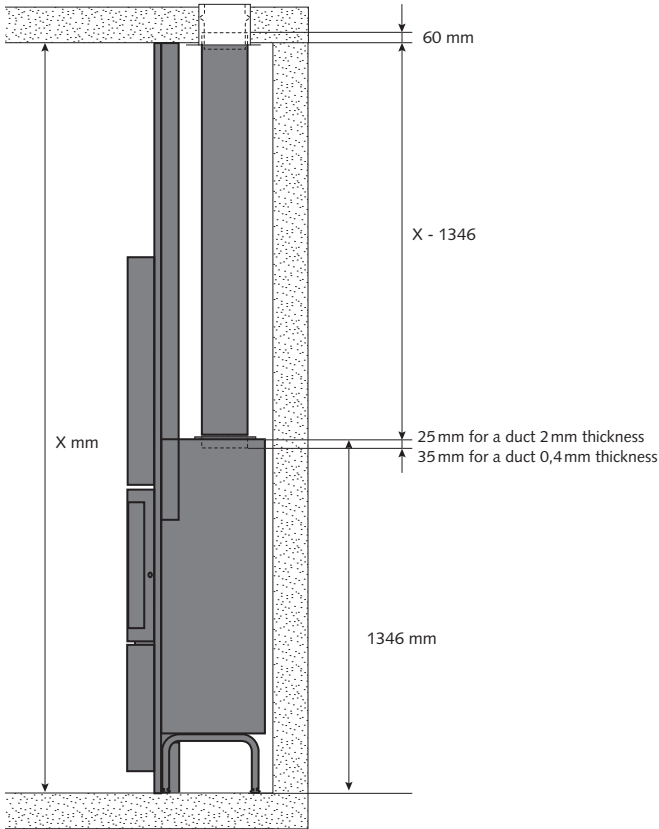
RECESS FOR 30-IN "R"
WITH FLUSH UPRIGHTS



30-in | The stove



SMOKE OUTLETS



COMBUSTION & CONVECTION AIR

